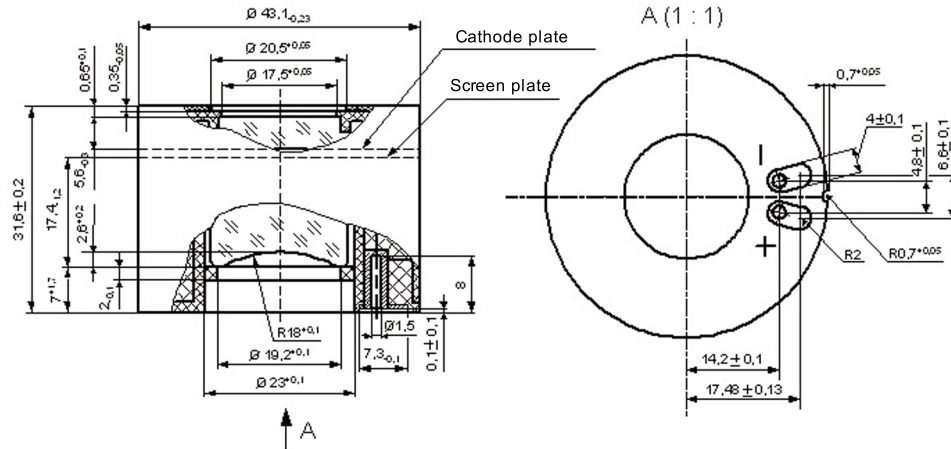


Small size Generation 2+/3 image intensifier series with direct image transfer.

These tubes have a microchannel plate, a photocathode made of multialkali metal (Gen. 2+) or GaAs (Gen.3), a yellow-green color screen, and a built-in power supply. Input window is made of flat surface glass; output window is made of a concave fiber optic element with straight image transfer. This type of tubes complies with all relevant military standards and specifications.



ANVIS tube is compatible with AN/PVS 7 and other devices

Tube Specifications

Model	NC064331SC	NCXT4331SC	N3064331SC	N3XT4331SC
Grade	HD	XT	HD	XT
Photocathode operating diameter, mm	20	18	18	18
Photocathode material	S-25	S-25	GaAs	GaAs
Resolution, lp/mm	51-54	54-64	45-54	54-64
Photocathode sensitivity, $\mu\text{A}/\text{lm}$	500-600	600-750	1400-2100	1400-2100
Light gain, minimum	35,000	35,000	35,000	35,000
Image magnification	1	1	1	1
Dark background brightness, max, cd/m^2	1.5×10^{-3}	1.5×10^{-3}	5×10^{-3}	5×10^{-3}
Signal-to-noise ratio	18	18	20	20
Current consumption, max, mA	25	25	30	30
Voltage, V	2.8 ± 0.8	2.8 ± 0.8	2.8 ± 0.8	2.8 ± 0.8
Weight, g	90	90	90	90
Mean time before failure, hours	10,000	10,000	10,000	10,000

Environmental resistance

Sinusoidal vibration (vibration strength):	
Frequency range, Hz	1-500
Acceleration, m/s^2 (g)	50 (5)
Mechanical shocks:	
Shock, m/s^2 (g)	5,000 (500)
Operating temperature range, $^{\circ}\text{C}$	-50 ... +55

Modulation transfer function

Frequency, lp/mm	HD grade	XT grade
2.5	0.87	0.88
7.5	0.67	0.72
15.0	0.42	0.50

Field of view cleanness

Zone Number	Circular zone Dimensions, mm	Neglected	Diameter, mm	Quantity	Allowed total area of defects, mm^2
1	0 - 9.0	0.06	0.12	1	0.10
2	9.0 - 14.5	0.08	0.18	1	0.20
3	14.5 - 18.0	0.10	0.20	2	0.35