

WARRANTY

NEWCON OPTIK warrants this product against defects in material and workmanship for one year from the date of the original date of consumer's purchase, but no more than 18 months from the date of manufacturing. If your Newcon product proves to be defective during this period, please bring the product securely packaged in its original container or an equivalent, along with proof of the date of original purchase, to your Newcon Dealer. Newcon will repair (or at its option replace), the product or part thereof, which, on inspection by Newcon, is found to be defective in materials or workmanship. Should you experience any difficulties with your Newcon Optik product, consult the enclosed manual. If the problem remains unresolved, contact our customer support department at (416) 663-6963 or toll free at 1-877-368-6666. Our operating hours are 9am-5pm, Monday - Friday, Eastern Standard Time. The customer service email address is customerservice@newcon-optik.com.

At no time should the equipment be sent back to Newcon without following the instructions of our technical support department. Newcon accepts no responsibility for unauthorized returns.

The authorized defective products should be shipped to:

From USA only: 2331 Superior Ave. Cleveland, OH 44114

From all other countries: 105 Sparks Ave., Toronto ON, M2H 2S5, CANADA

What This Warranty Does Not Cover:

NEWCON OPTIK is not responsible for warranty service should the product fail to be properly maintained or fail to function properly as a result of misuse, abuse, improper installation, neglect, damage caused by disasters such as fire, flood, lightning, improper electrical current, or service other than by a NEWCON Authorized Service. Postage, insurance, or shipping costs incurred in presenting your NEWCON product for warranty service are your responsibility. Please include a check or money order made out to NEWCON OPTIK for the amount of \$15.00 to cover shipping and handling. This covers products shipped in USA or Canada only.

ACCEPTANCE CERTIFICATE: Stabilized Image Binocular

Serial Number _____
Model _____ SIB 20x 50M _____
corresponds to technical conditions and is admitted for use.

Place for seal
Date of production - _____
Quality inspector _____
(signature)



Operation Manual



SIB 20x50M Stabilized Image Binocular

In USA: 2331 Superior Ave. Cleveland, OH 44114
In Canada: 105 Sparks Ave., Toronto ON, M2H 2S5
www.newcon-optik.com

Congratulations on purchasing the SIB 20x50M Stabilized Image Binoculars.

Please read carefully the user manual prior to activation

This unique optical instrument utilizes a revolutionary patented mechanical system (no need for batteries!) to deliver a stabilized image. An observer can use this high power magnification binocular aboard aircraft, land vehicles, boats or other moving or vibrating platforms.

PRECAUTIONS:

The SIB 20x50M is a sophisticated mechanical apparatus, and should be handled with due care:

- Never disassemble the unit
- Keep your device away from direct sunlight, impacts, dust, permanent moisture, and sudden changes of temperatures.
- Do not touch the optical surfaces with fingers. Doing so may damage the anti-reflection coating.
- Cleaning of optical surfaces is possible only with professional camera lens cleaning supplies.
- To clean the exterior of the device, use only a soft clean cloth.
- Do not take the cover off the lens if not necessary.
- Keep away from heating appliances and central heating.
- Do not apply superfluous efforts at work with lens assembly, agile elements and thread connections.

Note: In order to enhance optical performance, the lenses and prisms are made of special glass. This type of glass may contain tiny air bubbles, which do not affect the binocular performance.

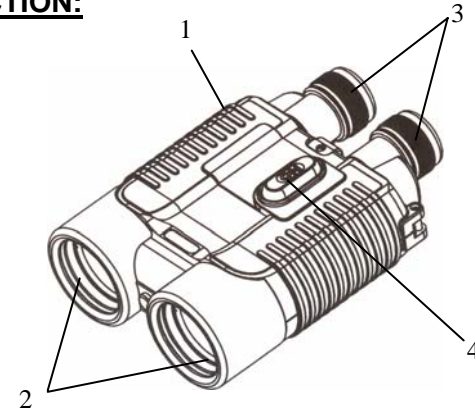
OPERATION:

- Unpack the unit from the box. Open the lens covers (2).
- Adjust the distance between the eyes by turning both eyepiece assemblies until two images converge into one. This adjustment is made tough intentionally to provide enhanced water resistance.
- Adjust the focus for the left eye using the focus adjustment knob (3).
- Finalize focus adjustment for the right eye by rotation of the eyepiece adjustment knob (3).
- To activate the stabilization mechanism, press firmly and hold the button (4).
- To disengage the stabilization mechanism, release the button. You can use the unit as a regular 20x50M binocular now.

FEATURES:

- Stabilized image
- Rigid construction
- Surveillance under motion conditions
- No batteries required
- Weather proof, water resistant
- Wide angle field of view
- Standard tripod socket (optional)

CONSTRUCTION:



- 1 Body
- 2 Objective lens
- 3 Eyepiece focus adjustment knob
- 4 Stabilization button

SPECIFICATIONS:

Magnification	20
Objective, mm	50
Compensation angle	±5°
Field of view	3.2°
Eye relief, mm	10.5
Resolution in the middle	3.6"
Dimensions, mm	217x158x69
Weight, kg	1.250